

# ***Installation Guide for EB-030 V1.0***

*Proximity touch-sensitive exit button*



***Doc Ver1.0***

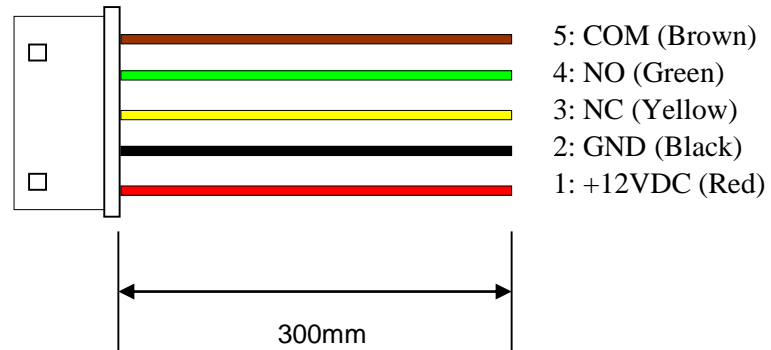
***Dec.,06.2012***

***R&D Center***

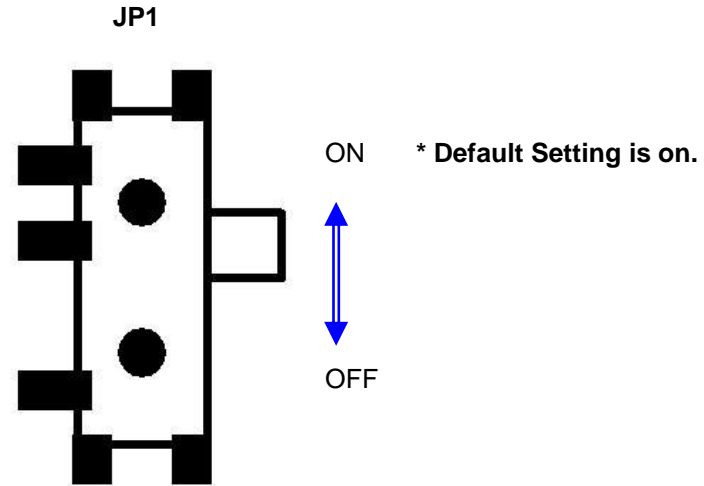
***Union Community Co., Ltd.***

# 1. Description of External Cables

## External Cable (5P)

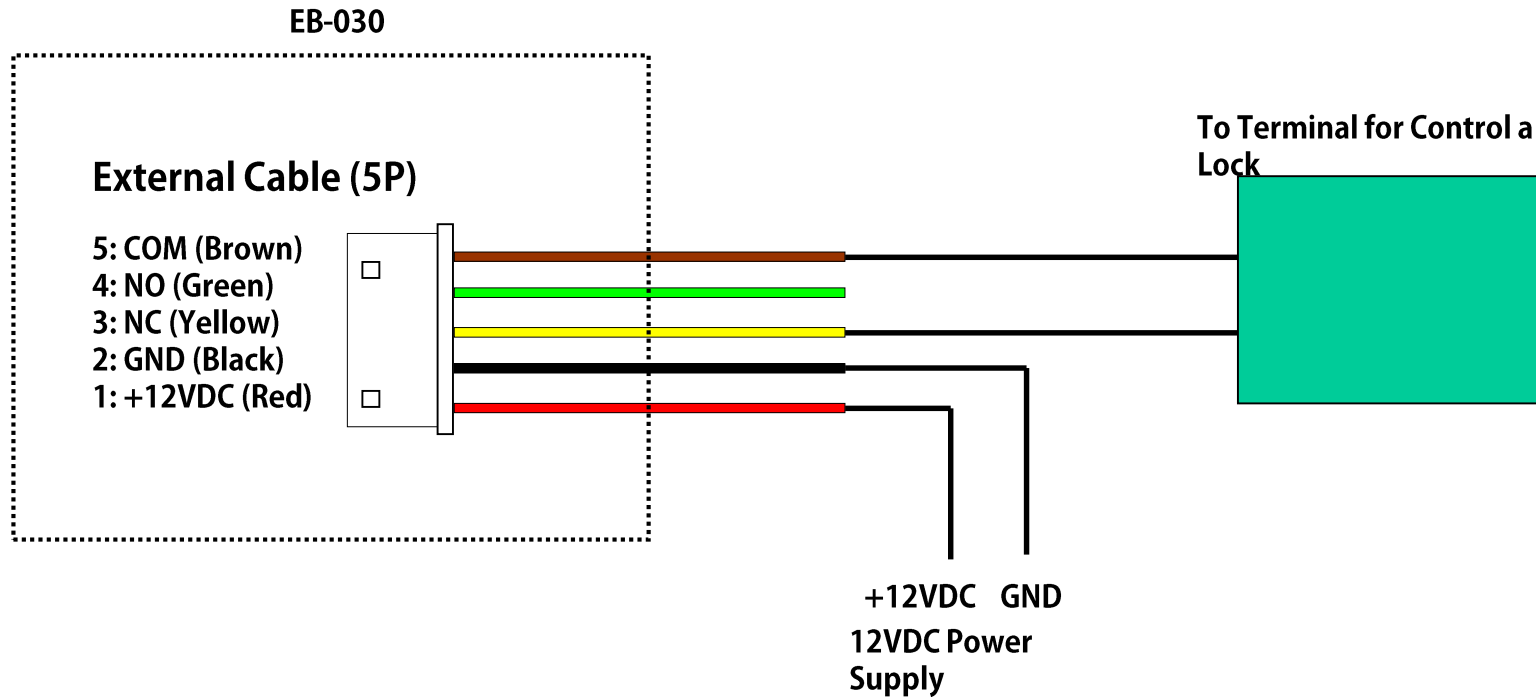


## 2. Setting a switch for Buzzer on/off



# 3. How to Connect the External Cable

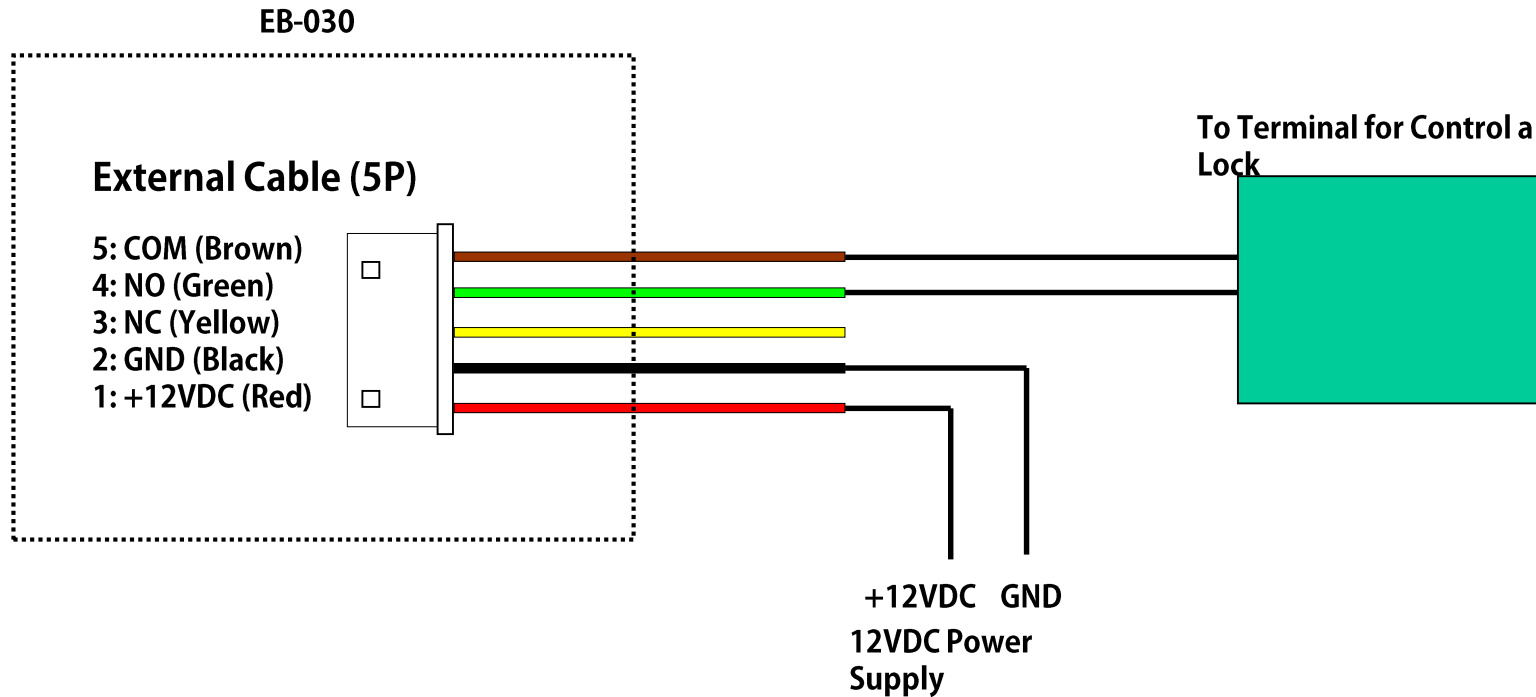
## 3.1. Connecting Cables For the NC Type



**\* You must supply +12VDC Power to the terminal after completing the installation of the EB-030 because of touch-sensitive type specification. Otherwise, it may not operate properly.**

# 3. How to Connect the External Cable

## 3.2. Connecting Cables For the NO Type



**\* You must supply +12VDC Power to the terminal after completing the installation of the EB-030 because of touch-sensitive type specification. Otherwise, it may not operate properly.**